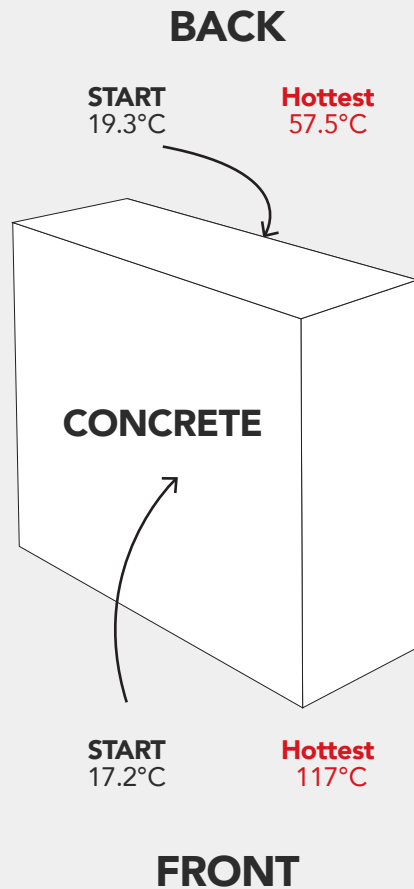
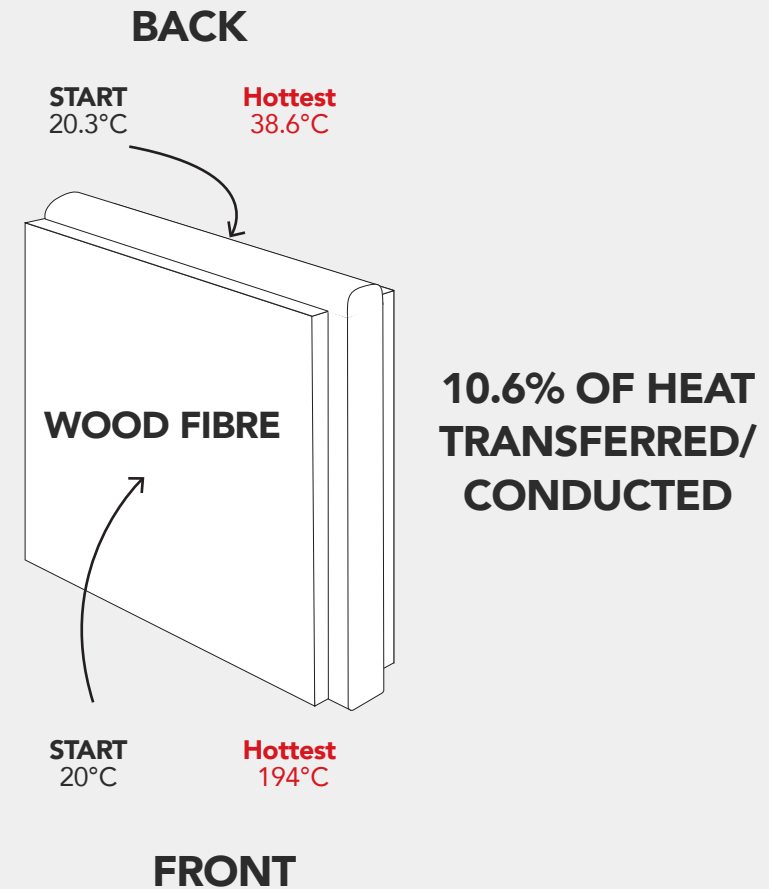


HEAT TEST - A



**60.8% OF HEAT
TRANSFERRED/
CONDUCTED**



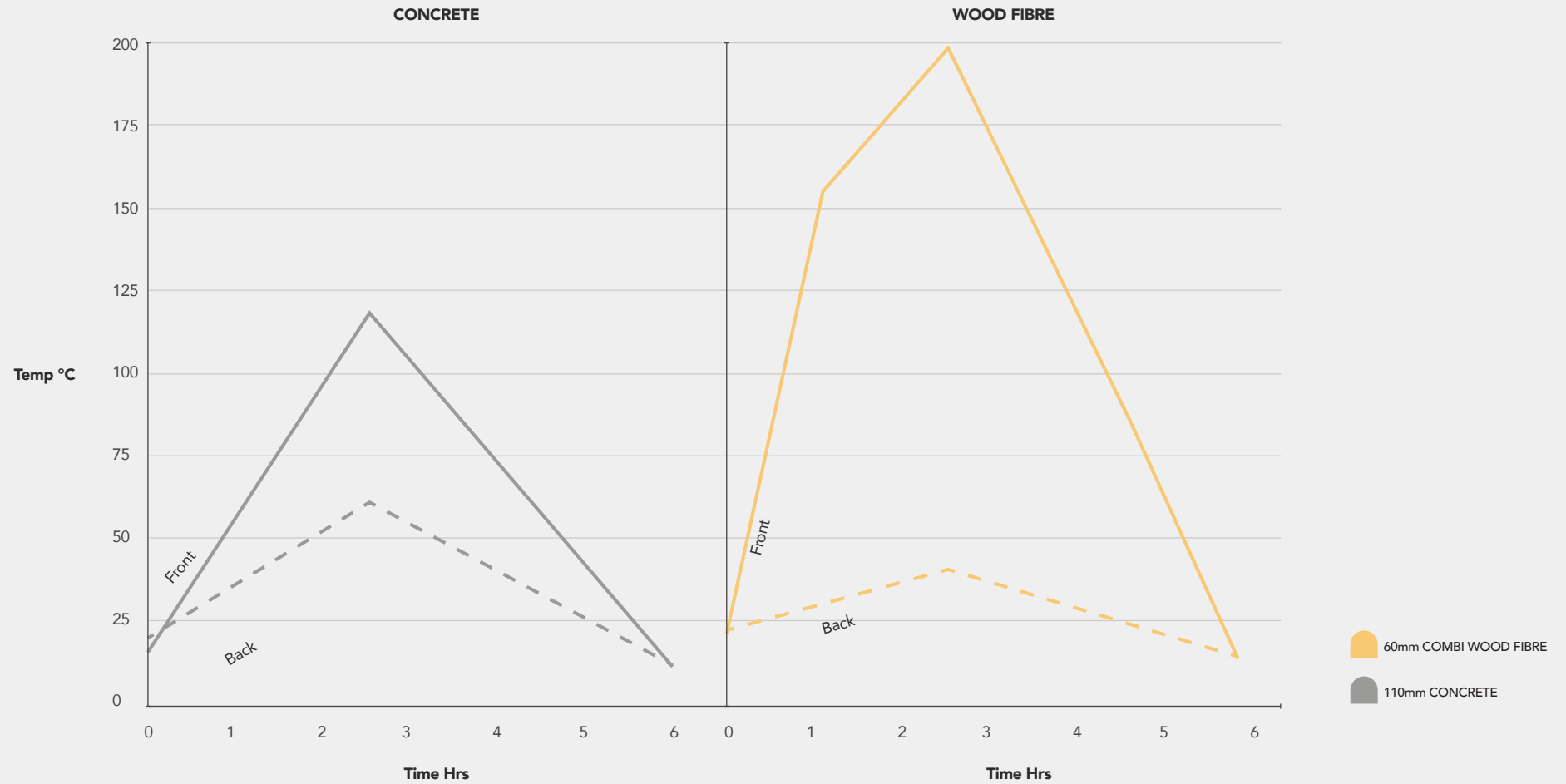
**10.6% OF HEAT
TRANSFERRED/
CONDUCTED**

*Thermal Conductivity 1.5 W/mK

*Thermal Conductivity 0.041 W/mK

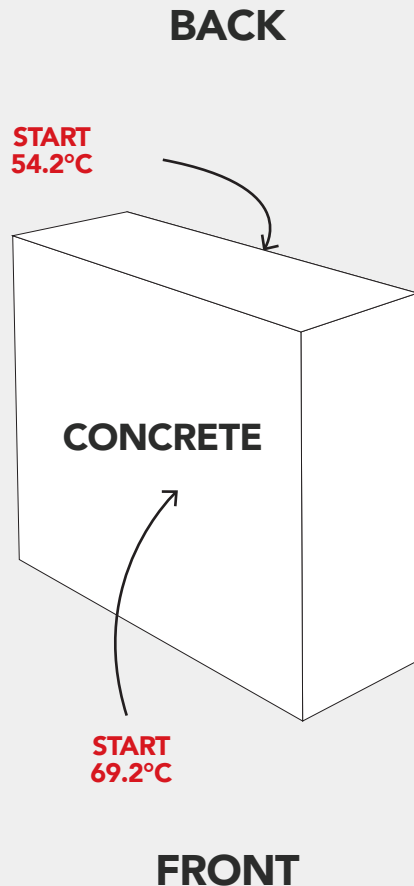
**Heat source: Fire pit over 600°C for 2.5 hours at 300mm distance. Readings taken immediately before removal from heat source.

HEAT TEST - STABILITY - A



HEAT TEST - B

AFTER BEING REMOVED FROM HEAT SOURCE



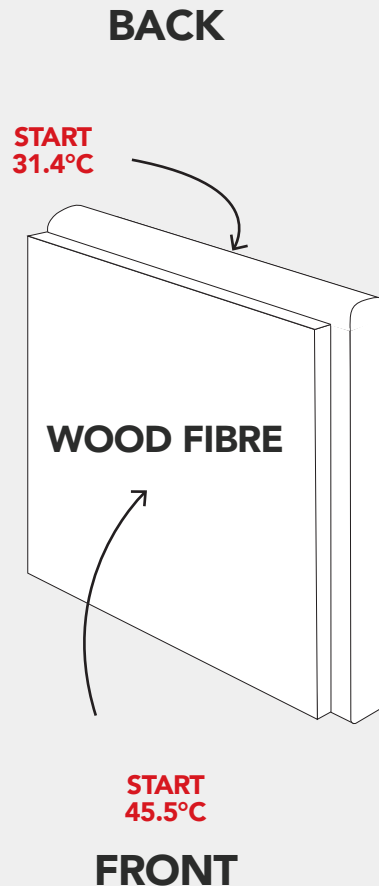
- A) 6:02 pm 54.2°C
- B) 10:00 pm 22°C
- C) 8:00 am 11.5°C

TOTAL DROP
42.7°C

- A) 6:02 pm 69.2°C
- B) 10:00 pm 21.9°C
- C) 8:00 am 11.6°C

TOTAL DROP
57.6°C

*Thermal Conductivity 1.5 W/mK



- A) 6:02 pm 31.4°C
- B) 10:00 pm 13.3°C
- C) 8:00 am 13.8°C

TOTAL DROP
18.1°C

- A) 6:02 pm 45.5°C
- B) 10:00 pm 13.7°C
- C) 8:00 am 14.2°C

TOTAL DROP
31.8°C

*Thermal Conductivity 0.041 W/mK

**Readings taken immediately after removal from heat source.

HEAT TEST - STABILITY - B

